

# hk 35/10

Scanhugger HK 35/10 is ideally suited for locating in the factory right at the source of the waste. Operating inline with a gang saw, straight line rip saw or panel saw. Using a closed looped hydraulic system, the knife is continuously cycling. The cut length is set by an adjustable gate.

Scanhugger HK35/10 guillotine er ideel til placering i forbindelse med plade- opskæringssave og lange fraskær fra opskæring af massivt træ. Kniven foretager en kontinuerlig bevægelse og kaplængden er instillelig.



[ service access ]



[ internal view ]

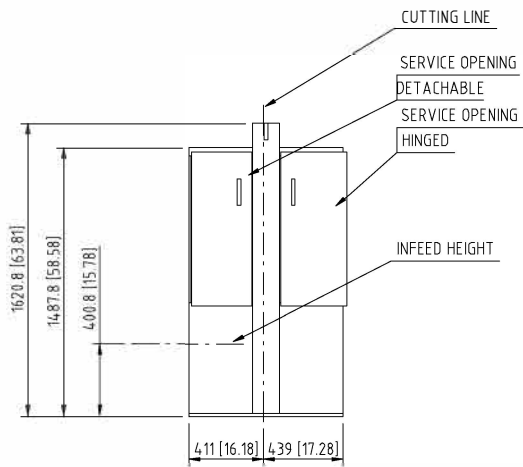
## Technical data / Tekniske data.

Infeed height/width / Indføringsmål		330 x 80 mm
No.of knives / Knivantal		1
No.of counterknives / Modstål		1
Knife cycles / Antal snit	**	15 - 25 per min.
Infeed speed / Indføringshastighed	**	6-12 m/min.
Hydraulic motor / Hydraulik motor	**	4-11kW
Cutting length / Kaplængde		100-300 mm
Capacity / Kapacitet	**	3-5 cbm/hr.
Weight / Vægt		750 kg.
Sound level / Lydtrykniveau $L_{pa}$	***	78.5 dB

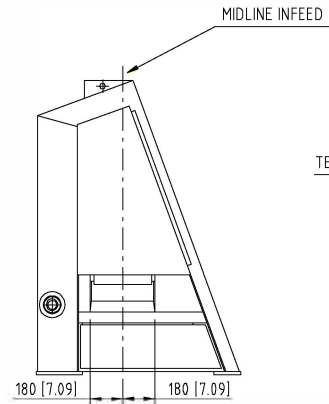
\*\* Depending on motor size and material

\*\*\* In accordance with ISO/DIS 11204, prEN 691

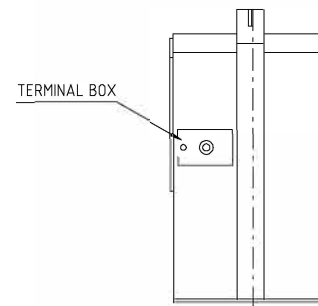
Technical alterations reserved / Ret til tekniske ændringer forbeholdes



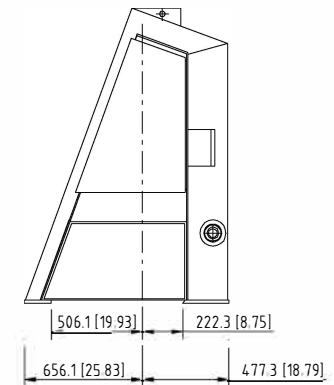
RIGHT SIDE VIEW



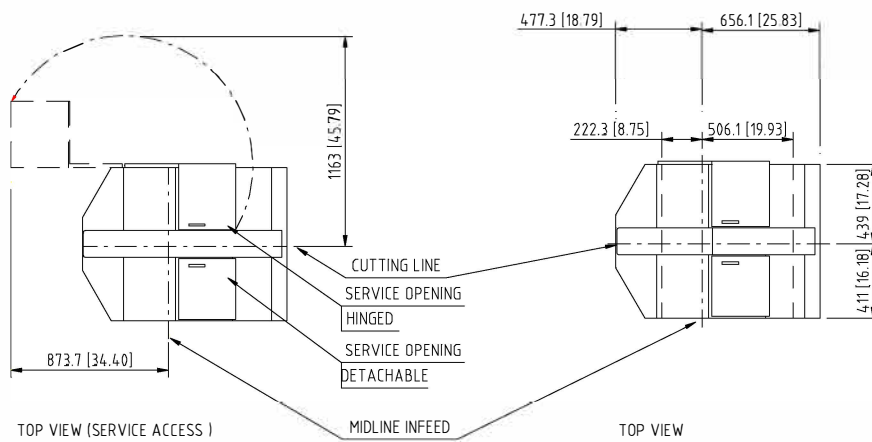
INFEED VIEW



LEFT SIDE VIEW

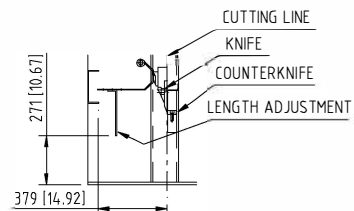
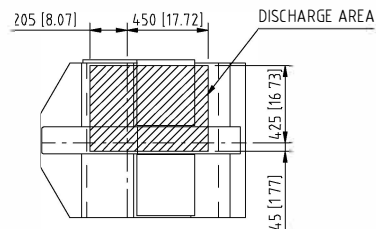
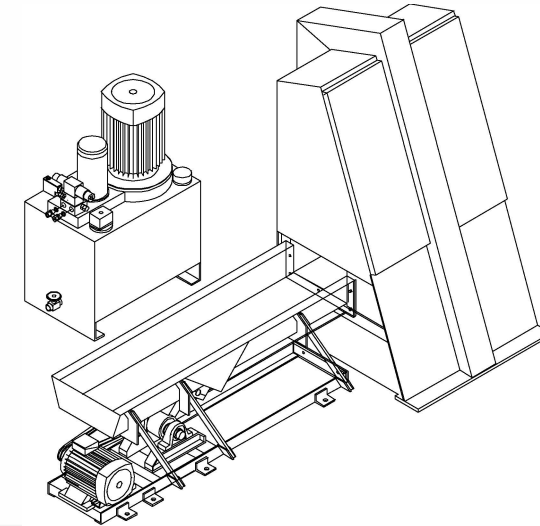


DISCHARGE VIEW

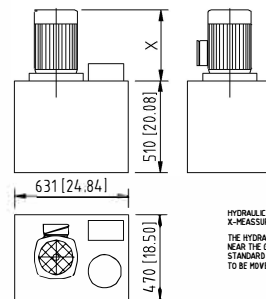


TOP VIEW (SERVICE ACCESS)

TOP VIEW



SECTION VIEW A-A



HYDRAULIC UNIT  
X-MEASURE DEPENDS ON MOTOR FRAME SIZE  
THE HYDRAULIC UNIT MUST BE SITUATED  
NEAR THE GUILLOTINE  
STANDARD HYDRAULIC HOSES ALLOWING THE HYDRAULIC UNIT  
TO BE MOVED 1500 MM FROM THE HK 35/10

STANDARD LAYOUT DRAWING FOR HK 35/10 GUILLOTINE  
ALL DIMENSIONS IN MM (INCH)

HYDRAULIC MOTOR :  
CONTROL VOLTAGE :  
INFEED CONVEYOR SYSTEM :  
DISCHARGE CONVEYOR SYSTEM :

ALL TECHNICAL ALTERATIONS RESERVED

Pos.nr	Mgd.	Bemærkning	Format	Skala	Bemærkning	
Konst	Sign				Erstatter	Erstattes af
		Titel			Få	Dato
					Tegningsnummer	
					denne tegning må ikke kopieres eller på nogen anden måde gøres tilgængelig for tredjemand this drawing is not to be copied, printed or to be available to any unauthorized person without our specific permission	
TLF 8734 3113 FAX 8734 3175						