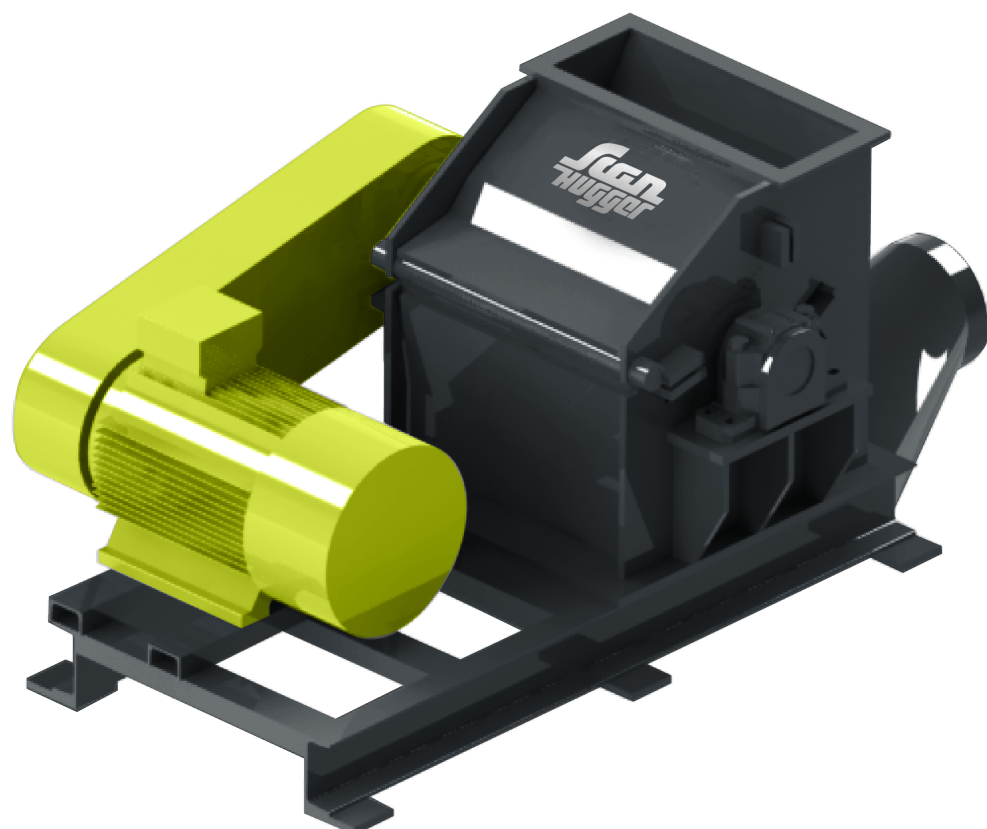


Scanhugger HT 55/60/4



The Scanhugger HT 55/60/4 wood chipper is mounted with a solid steel drum rotor designed to produce the requested chip size. The straight knives are mounted with a special wedge system that lock and secure the knives in the rotor. This system is ideal for shredding short or long lengths of solid waste wood, from the timber sizing and wood processing industry in order to produce a defined homogeneous wood chip.

INFEED SIZE

180 x 530 mm

INFEED SPEED

25 - 40 m / min

ROTOR SPEED

900 RPM

ROTOR DIAMETER

650 mm

CHIP SIZE

15 - 35 mm

MAIN MOTOR

55 - 90 kW

WEIGHT

4900 kg

Dimensions in mm / inch		HT 55/60/4
A		3730 / 147
B		946 / 37
C		542 / 21
D		552 / 21.7
E		2068 / 81.4
F		1376 / 54.2
G		696 / 27.4

