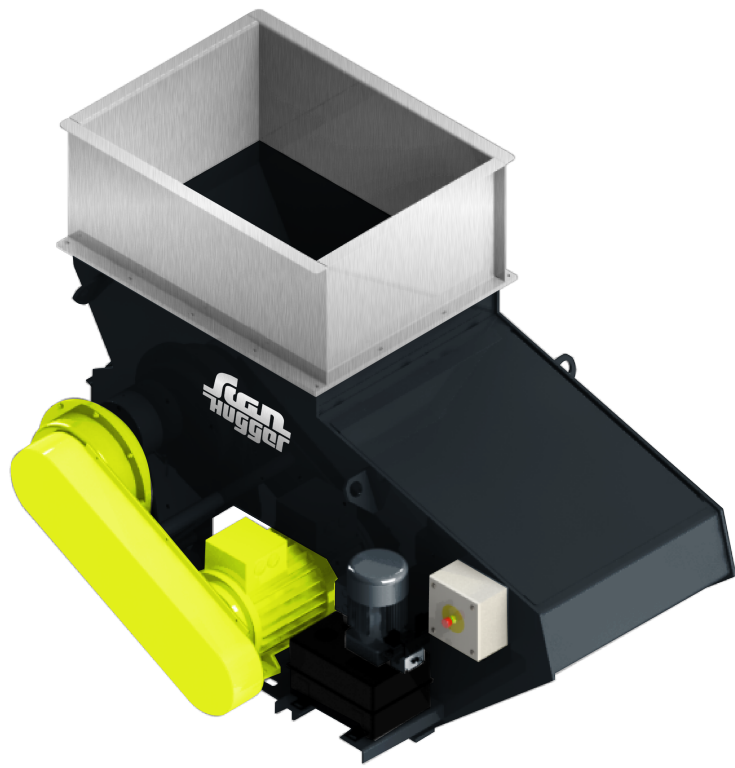


# Scanhugger HL 4/18/20



Scanhugger HL 4/18/20 is an all-round shredder capable of shredding up to 5000 kg/hour. The shredder is designed all types of wood waste, ranging from hard- and softwood, trim blocks, particleboard, MDF, furniture parts, paper, and cardboard. Depending on the desired chip quality, the machine can be mounted with two different rotor types and various screen sizes.

INFEED SIZE

**1828 x 2000 mm**

ROTOR SPEED

**80 RPM**

SOUND LEVEL

**86.5 dB**

MAIN MOTOR

**55 - 90 kW**

CHIP SIZE

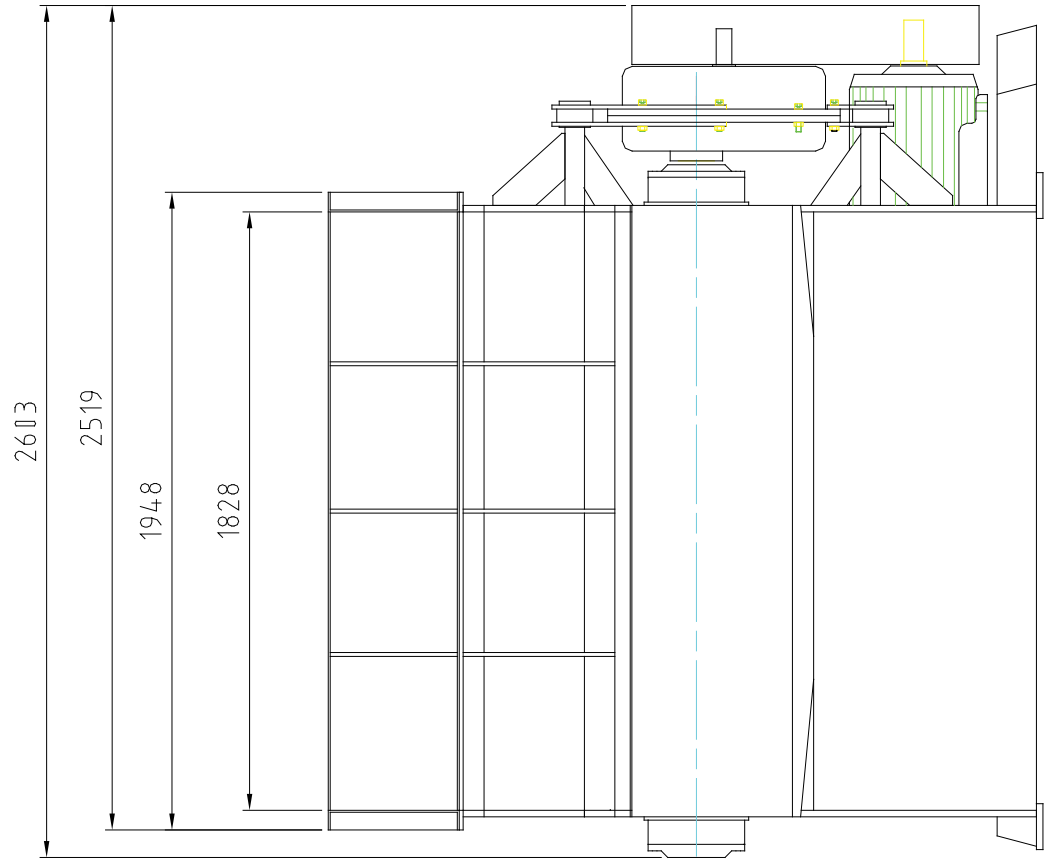
**30 - 200 mm**

CAPACITY

**1500 - 5000 kg/h**

WEIGHT

**7000 kg**



TECHNICAL ALTERATIONS

