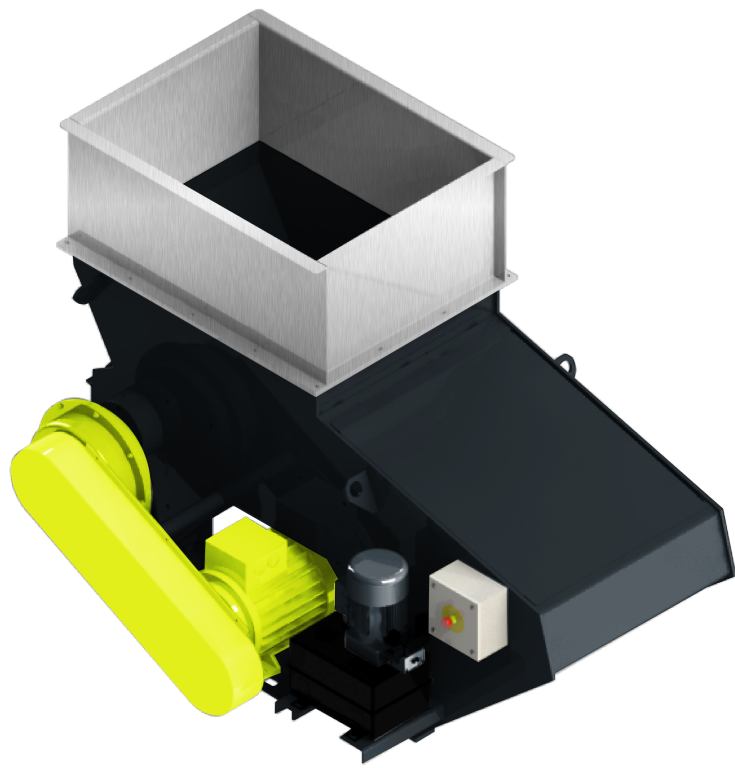


# Scanhugger HL 3/12/16



The Scanhugger HL 3/12/16 is a cost-effective wood shredder with an output of up to 850 kg/hour. The wood shredder is designed for a large range of wood waste, ranging from hard- and softwood, trim blocks, particleboard, MDF, furniture parts, paper, and cardboard.

INFEED SIZE

**1253 x 1600 mm**

ROTOR SPEED

**85 RPM**

SOUND LEVEL

**81 dB**

MAIN MOTOR

**18.5 - 30 kW**

CHIP SIZE

**20 - 50 mm**

CAPACITY

**200 - 850 kg/h \***

WEIGHT

**3400 kg**

\* The capacity depends on different factors like: Density and humidity of the material, load factor, size of the material, motor size, size of screen holes etc.

